



HANSON RIVET

& SUPPLY CO.
13241 Weidner Street
Pacoima, CA 91331

See pages D42-D47 for
installation tools

Phone: 818-485-0500
FAX: 818-485-0540

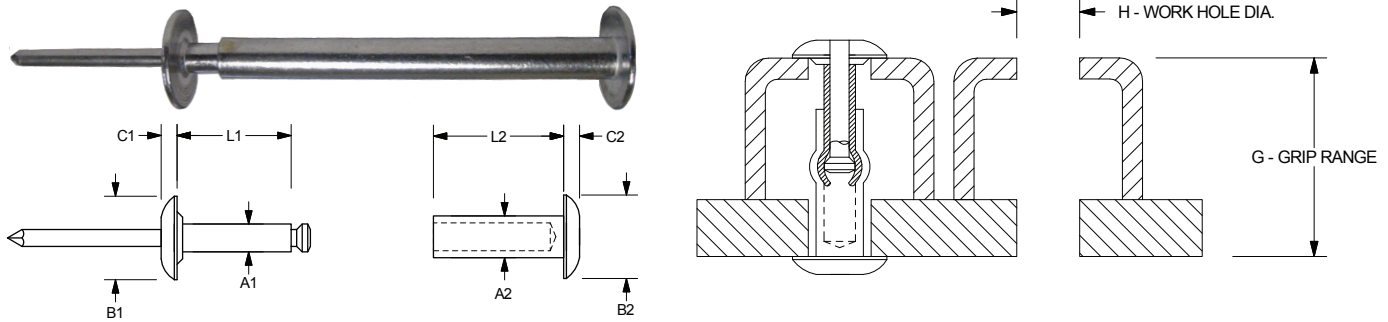
Outside CA: 1-800-RRRIVET
www.hansonrivet.com



"MATE" RIVETS



Mate Rivets are a 2 piece fastener. Access to both sides of the work is required, however it does not require close tolerance holes. The Tubular Component is inserted from one side and the Rivet is inserted from the other. When set, the Rivet expands inside the Tubular Component and clamps tightly and securely without crushing the parent material. This fastener has a very wide grip range and can be used in applications up to 3-7/8" thick!



NOMINAL DIAMETER	PART NUMBERS						GRIP RANGE	RIVET BODY LENGTH (MAX.) "L1"	TUBULAR COMPONENT BODY LENGTH (MAX.) "L2"
	ALUMINUM RIVET ALUMINUM MANDREL -- ALUMINUM TUBULAR COMPONENT		STEEL RIVET STEEL MANDREL -- STEEL TUBULAR COMPONENT		ALUMINUM RIVET STEEL MANDREL -- ALUMINUM TUBULAR COMPONENT				
	PART NUMBER	Avdel®	PART NUMBER	Avdel®	PART NUMBER	Avdel®			
3/16"	CM-AAA612	BALMS-06BP-12	CM-SSS612	SSLMS-06SP-12	CM-ASA612	BSLMS-06BP-12	.625-.750	.525	.585
	CM-AAA614	BALMS-06BP-14	CM-SSS614	SSLMS-06SP-14	CM-ASA614	BSLMS-06BP-14	.687-.875		.647
	CM-AAA617	BALMS-06BP-17	CM-SSS617	SSLMS-06SP-17	CM-ASA617	BSLMS-06BP-17	.875-1.062		.825
	CM-AAA620	BALMS-06BP-20	CM-SSS620	SSLMS-06SP-20	CM-ASA620	BSLMS-06BP-20	1.062-1.250		1.012
	CM-AAA623	BALMS-06BP-23	CM-SSS623	SSLMS-06SP-23	CM-ASA623	BSLMS-06BP-23	1.250-1.437		1.200
	CM-AAA626	BALMS-06BP-26	CM-SSS626	SSLMS-06SP-26	CM-ASA626	BSLMS-06BP-26	1.437-1.625		1.387
	CM-AAA629	BALMS-06BP-29	CM-SSS629	SSLMS-06SP-29	CM-ASA629	BSLMS-06BP-29	1.625-1.812		1.575
	CM-AAA632	BALMS-06BP-32	CM-SSS632	SSLMS-06SP-32	CM-ASA632	BSLMS-06BP-32	1.812-2.000		1.762
	CM-AAA635	BALMS-06BP-35	CM-SSS635	SSLMS-06SP-35	CM-ASA635	BSLMS-06BP-35	2.000-2.187		1.950
	CM-AAA638	BALMS-06BP-38	CM-SSS638	SSLMS-06SP-38	CM-ASA638	BSLMS-06BP-38	2.187-2.375		2.137
TYPICAL TENSILE STRENGTH	NOT RATED								
1/4"	CM-AAA812	BALMS-08BP-12	CM-SSS812	SSLMS-08SP-12	CM-ASA812	BSLMS-08BP-12	.625-.750	.442	.580
	CM-AAA814	BALMS-08BP-14	CM-SSS814	SSLMS-08SP-14	CM-ASA814	BSLMS-08BP-14	.750-.875	.442	.695
	CM-AAA818	BALMS-08BP-18	CM-SSS818	SSLMS-08SP-18	CM-ASA818	BSLMS-08BP-18	.875-1.125	.608	.820
	CM-AAA822	BALMS-08BP-22	CM-SSS822	SSLMS-08SP-22	CM-ASA822	BSLMS-08BP-22	1.125-1.375	.608	1.070
	CM-AAA826	BALMS-08BP-26	CM-SSS826	SSLMS-08SP-26	CM-ASA826	BSLMS-08BP-26	1.375-1.625	.608	1.320
	CM-AAA830	BALMS-08BP-30	CM-SSS830	SSLMS-08SP-30	CM-ASA830	BSLMS-08BP-30	1.625-1.875	.608	1.570
	CM-AAA834	BALMS-08BP-34	CM-SSS834	SSLMS-08SP-34	CM-ASA834	BSLMS-08BP-34	1.875-2.125	.608	1.820
	CM-AAA838	BALMS-08BP-38	CM-SSS838	SSLMS-08SP-38	CM-ASA838	BSLMS-08BP-38	2.125-2.375	.608	2.070
	CM-AAA842	BALMS-08BP-42	CM-SSS842	SSLMS-08SP-42	CM-ASA842	BSLMS-08BP-42	2.375-2.625	.608	2.320
	CM-AAA846	BALMS-08BP-46	CM-SSS846	SSLMS-08SP-46	CM-ASA846	BSLMS-08BP-46	2.625-2.875	.608	2.570
	CM-AAA850	BALMS-08BP-50	CM-SSS850	SSLMS-08SP-50	CM-ASA850	BSLMS-08BP-50	2.875-3.125	.608	2.820
	CM-AAA854	BALMS-08BP-54	CM-SSS854	SSLMS-08SP-54	CM-ASA854	BSLMS-08BP-54	3.125-3.375	.608	3.070
	CM-AAA858	BALMS-08BP-58	CM-SSS858	SSLMS-08SP-58	CM-ASA858	BSLMS-08BP-58	3.375-3.625	.608	3.320
	CM-AAA862	BALMS-08BP-62	CM-SSS862	SSLMS-08SP-62	CM-ASA862	BSLMS-08BP-62	3.625-3.875	.608	3.570
TYPICAL TENSILE STRENGTH	250 LBS.		350 LBS.		450 LBS.				
NOMINAL DIAMETER	WORK HOLE DIAMETER "H"	BLIND RIVET			TUBULAR COMPONENT				
		BODY DIAMETER "A1"	HEAD DIAMETER "B1"	HEAD HEIGHT "C1"	BODY DIAMETER "A2"	HEAD DIAMETER "B2"	HEAD HEIGHT "C2"		
		3/16"	.125	.375	.059	.188	.375	.057	
1/4"	.187	.625	.095	.250	.625	.095			

NOTE: Values for typical ultimate strengths are a guide only and may vary greatly depending upon the application.