



# HANSON RIVET

& SUPPLY CO.

13241 Weidner Street  
Pacoima, CA 91331

Phone: 818-485-0500

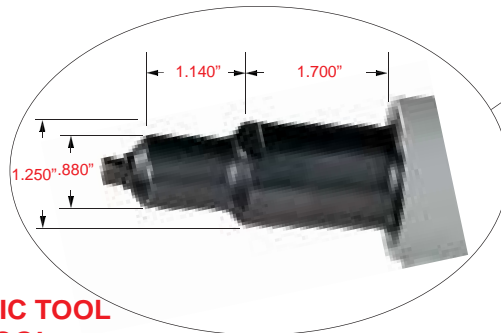
FAX: 818-485-0540

Outside CA: 1-800-RRRIVET

www.hansonrivet.com



## PRG-540 BLIND RIVET TOOLS



### PRG-540 & MCS-540 AIR-HYDRAULIC TOOL HEAVY DUTY PRODUCTION TOOL

Capacity: up to 1/4" diameter:

All materials standard open & closed end blind rivets  
(Except 1/4" diameter Stainless Closed-End).

Weight: 4.5 lbs. - Pulling Force: 3,000 lbs. - Stroke: .630"

Standard Nose Pieces Included: 1/8", 5/32", 3/16" & 1/4"

"MCS" Model Tools come equipped with a  
vacuum Mandrel Collection System

### TOOL CAPACITY

TOOL	RIVET MATERIAL		RIVET DIAMETERS													
			STANDARD COMMERCIAL OPEN-END RIVETS						CLOSED-END RIVETS				T-RIVETS		ULTRAGRIP RIVETS	
	BODY	MANDREL	3/32	7/64	1/8	5/32	3/16	1/4	1/8	5/32	3/16	1/4	3/16	1/4	3/16	1/4
PRG-540 MCS-540	ALUMINUM	ALUMINUM	●		●	●	●	●	●	●	●				●	●
	ALUMINUM	STEEL	●		●	●	●	●	●	●	●	●	●	●	●	●
	STEEL	STEEL	●		●	●	●	●	●	●	●	●			●	●
	MONEL	STEEL		●	●	●	●	●								
	STAINLESS	STEEL			●	●	●	●	●	●	●	●			●	●
	STAINLESS	STAINLESS			●	●	●	●	●	●	●	●			●	●

Also suitable for high strength structural 3/16" & 1/4" rivets

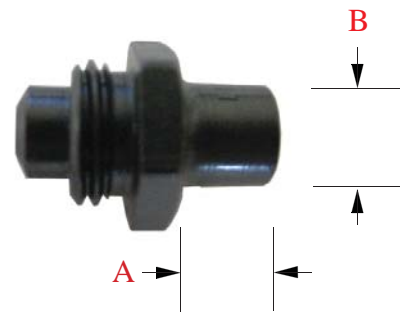
### STANDARD NOSEPIECES

TYPE OF RIVET	RIVET DIAMETER	NOSEPIECE
OPEN-END RIVET	3/32"	PRN-314
	1/8" & 7/64"	PRN-414
	5/32"	PRN-514
	3/16"	PRN-614
	1/4"	PRN-811
CLOSED-END STEEL MANDREL	1/8"	PRN-424
	5/32"	PRN-524
	3/16"	PRN-624
CLOSED-END ALUMINUM MANDREL	1/4"	PRN-822
	1/8"	PRN-434
	5/32"	PRN-534
T-RIVET	3/16"	PRN-634
	3/16"	PRN-625
	1/4"	PRN-825
ULTRA GRIP DOMED HEAD	3/16"	N-406
	1/4"	N-407
ULTRA GRIP COUNTERSUNK	3/16"	PRN-611
	1/4"	PRN-811

### SPECIAL LONG NOSEPIECES \*

RIVET DIAMETER	PART NUMBER	"A" SHANK LENGTH	"B" SHANK DIA.
3/32"	N-130	.562	.182
1/8"	N-131	.437	.210
1/8"	N-132	.562	.210
1/8"	N-301	.312	.210
1/8"	N-302	.750	.210
1/8"	N-309	.500	.210
5/32"	N-33	.375	.265
5/32"	N-133	.562	.265
5/32"	N-134	.437	.265
3/16"	N-35	.375	.320
3/16"	N-36	.500	.320
3/16"	N-138	.687	.320
3/16"	N-139	.562	.320
3/16"	N-140	.437	.320
1/4"	N-332	.437	.380
1/4"	N-333	.312	.380

\* Long nosepieces may require special long mandrels



### REPLACEMENT JAWS

POWER TOOLS	REPLACEMENT JAWS
PRG-540 MCS-540	PRG540-46 PRG540-46SS for Stainless Rivets PRG540-44 for 1/4" Diameter Rivets 1300 Three Piece Jaw Set