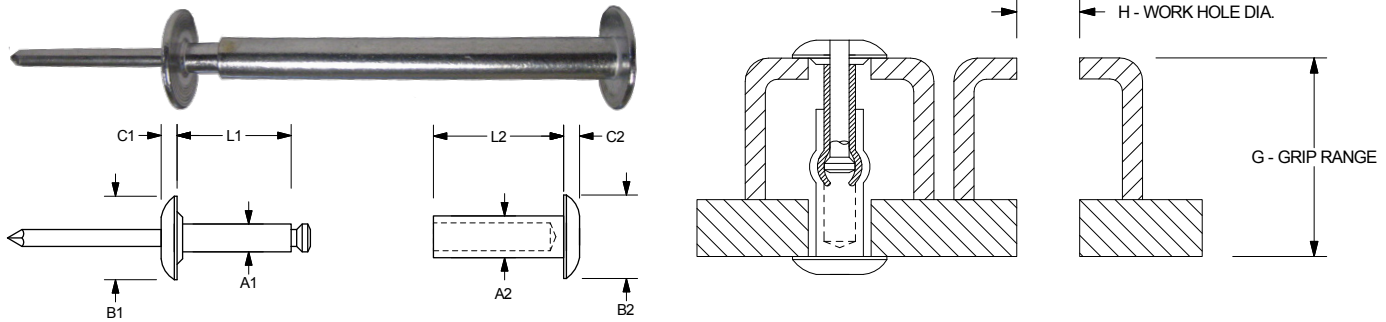




"MATE" RIVETS



Mate Rivets are a 2 piece fastener. Access to both sides of the work is required, however it does not require close tolerance holes. The Tubular Component is inserted from one side and the Rivet is inserted from the other. When set, the Rivet expands inside the Tubular Component and clamps tightly and securely without crushing the parent material. This fastener has a very wide grip range and can be used in applications up to 3-7/8" thick!



NOMINAL DIAMETER	PART NUMBERS						GRIP RANGE	RIVET BODY LENGTH (MAX.) "L1"	TUBULAR COMPONENT BODY LENGTH (MAX.) "L2"	
	ALUMINUM RIVET ALUMINUM MANDREL -- ALUMINUM TUBULAR COMPONENT		STEEL RIVET STEEL MANDREL -- STEEL TUBULAR COMPONENT		ALUMINUM RIVET STEEL MANDREL -- ALUMINUM TUBULAR COMPONENT					
	PART NUMBER	Avdel [®]	PART NUMBER	Avdel [®]	PART NUMBER	Avdel [®]				
3/16"	CM-AAA612	BALMS-06BP-12	CM-SSS612	SSLMS-06SP-12	CM-ASA612	BSLMS-06BP-12	.625-.750	.525	.585	
	CM-AAA614	BALMS-06BP-14	CM-SSS614	SSLMS-06SP-14	CM-ASA614	BSLMS-06BP-14	.687-.875		.647	
	CM-AAA617	BALMS-06BP-17	CM-SSS617	SSLMS-06SP-17	CM-ASA617	BSLMS-06BP-17	.875-1.062		.825	
	CM-AAA620	BALMS-06BP-20	CM-SSS620	SSLMS-06SP-20	CM-ASA620	BSLMS-06BP-20	1.062-1.250		1.012	
	CM-AAA623	BALMS-06BP-23	CM-SSS623	SSLMS-06SP-23	CM-ASA623	BSLMS-06BP-23	1.250-1.437		1.200	
	CM-AAA626	BALMS-06BP-26	CM-SSS626	SSLMS-06SP-26	CM-ASA626	BSLMS-06BP-26	1.437-1.625		1.387	
	CM-AAA629	BALMS-06BP-29	CM-SSS629	SSLMS-06SP-29	CM-ASA629	BSLMS-06BP-29	1.625-1.812		1.575	
	CM-AAA632	BALMS-06BP-32	CM-SSS632	SSLMS-06SP-32	CM-ASA632	BSLMS-06BP-32	1.812-2.000		1.762	
	CM-AAA635	BALMS-06BP-35	CM-SSS635	SSLMS-06SP-35	CM-ASA635	BSLMS-06BP-35	2.000-2.187		1.950	
	CM-AAA638	BALMS-06BP-38	CM-SSS638	SSLMS-06SP-38	CM-ASA638	BSLMS-06BP-38	2.187-2.375		2.137	
TYPICAL TENSILE STRENGTH	NOT RATED									
1/4"	CM-AAA812	BALMS-08BP-12	CM-SSS812	SSLMS-08SP-12	CM-ASA812	BSLMS-08BP-12	.625-.750	.454	.580	
	CM-AAA814	BALMS-08BP-14	CM-SSS814	SSLMS-08SP-14	CM-ASA814	BSLMS-08BP-14	.750-.875	.608	.695	
	CM-AAA818	BALMS-08BP-18	CM-SSS818	SSLMS-08SP-18	CM-ASA818	BSLMS-08BP-18	.875-1.125	.608	.820	
	CM-AAA822	BALMS-08BP-22	CM-SSS822	SSLMS-08SP-22	CM-ASA822	BSLMS-08BP-22	1.125-1.375	.608	1.070	
	CM-AAA826	BALMS-08BP-26	CM-SSS826	SSLMS-08SP-26	CM-ASA826	BSLMS-08BP-26	1.375-1.625	.608	1.320	
	CM-AAA830	BALMS-08BP-30	CM-SSS830	SSLMS-08SP-30	CM-ASA830	BSLMS-08BP-30	1.625-1.875	.608	1.570	
	CM-AAA834	BALMS-08BP-34	CM-SSS834	SSLMS-08SP-34	CM-ASA834	BSLMS-08BP-34	1.875-2.125	.608	1.820	
	CM-AAA838	BALMS-08BP-38	CM-SSS838	SSLMS-08SP-38	CM-ASA838	BSLMS-08BP-38	2.125-2.375	.608	2.070	
	CM-AAA842	BALMS-08BP-42	CM-SSS842	SSLMS-08SP-42	CM-ASA842	BSLMS-08BP-42	2.375-2.625	.608	2.320	
	CM-AAA846	BALMS-08BP-46	CM-SSS846	SSLMS-08SP-46	CM-ASA846	BSLMS-08BP-46	2.625-2.875	.608	2.570	
	CM-AAA850	BALMS-08BP-50	CM-SSS850	SSLMS-08SP-50	CM-ASA850	BSLMS-08BP-50	2.875-3.125	.608	2.820	
	CM-AAA854	BALMS-08BP-54	CM-SSS854	SSLMS-08SP-54	CM-ASA854	BSLMS-08BP-54	3.125-3.375	.608	3.070	
	CM-AAA858	BALMS-08BP-58	CM-SSS858	SSLMS-08SP-58	CM-ASA858	BSLMS-08BP-58	3.375-3.625	.608	3.320	
	CM-AAA862	BALMS-08BP-62	CM-SSS862	SSLMS-08SP-62	CM-ASA862	BSLMS-08BP-62	3.625-3.875	.608	3.570	
	TYPICAL TENSILE STRENGTH	250 LBS.		350 LBS.		450 LBS.				
	NOMINAL DIAMETER	WORK HOLE DIAMETER "H"	BLIND RIVET			TUBULAR COMPONENT				
BODY DIAMETER "A1"			HEAD DIAMETER "B1"	HEAD HEIGHT "C1"	BODY DIAMETER "A2"	HEAD DIAMETER "B2"	HEAD HEIGHT "C2"			
3/16"	.250	.125	.375	.059	.188	.375	.057			
1/4"	.312	.187	.625	.095	.250	.625	.095			

NOTE: Values for typical ultimate strengths are a guide only and may vary greatly depending upon the application.