



# HANSON RIVET

## & SUPPLY CO.

13241 Weidner Street  
Pacoima, CA 91331

Phone: 818-485-0500

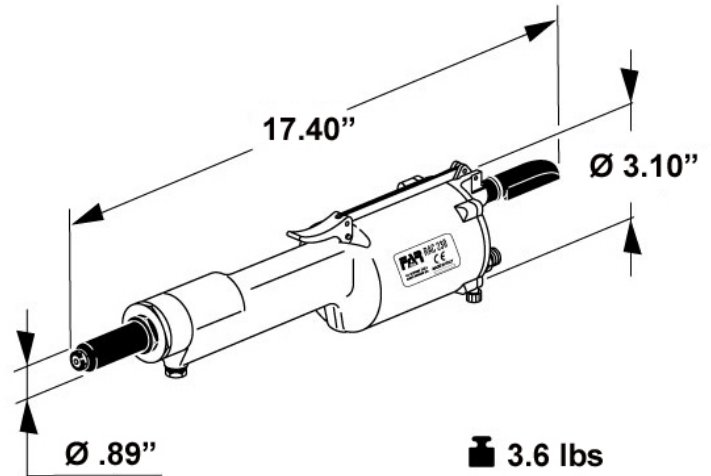
FAX: 818-485-0540

Outside CA: 1-800-RRRIVET

[www.hansonrivet.com](http://www.hansonrivet.com)



## RAC-230 HYDRO PNEUMATIC IN-LINE BLIND RIVET TOOL



**For 3/32", 1/8", 5/32" & 3/16" Blind Rivets**

The RAC-230 is a hydro-pneumatic in-line riveter that can be hung from a tool balancer. Very lightweight and ergonomic, this tool is ideally suitable for vertical riveting and assembly line applications. Optional Mandrel collection system available.

**Capacity: Up to 3/16: in all materials. Weight: 3.6 lbs - Pulling Force: 1,958 lbs.  
Stroke: .610" - Nose Pieces included 3/32", 1/8", 5/32" & 3/16"**

Standard Nosepieces	
Rivet Diameter	Nosepiece
3/32"	717006
1/8"	717001
5/32"	717002
3/16"	717003



Mandrel Collection System	
Part number:	72000057



Replacement Jaws:	71345507
-------------------	----------

