



HANSON RIVET

& SUPPLY CO.

13241 Weidner Street
Pacoima, CA 91331

Phone: 818-485-0500

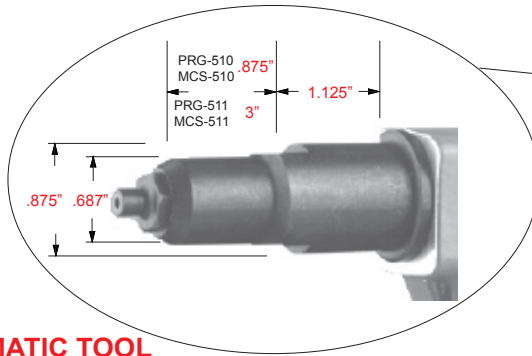
FAX: 818-485-0540

Outside CA: 1-800-RRRIVET

www.hansonrivet.com



PRG-510 BLIND RIVET TOOLS



PRG-510A & MCS-510A PNEUMATIC TOOL OUR MOST POPULAR TOOL!

Capacity: up to 3/16" diameter:

Aluminum / Steel standard open end blind rivets

Weight: 4 lbs. - Pulling Force: 1,000 lbs. - Stroke: .590"

Standard Nose Pieces Included: 1/8", 5/32" & 3/16"

"MCS" Model Tools come equipped with a vacuum Mandrel Collection System

TOOL CAPACITY

TOOL	RIVET MATERIAL		RIVET DIAMETERS							
			STANDARD COMMERCIAL OPEN-END RIVETS					CLOSED-END RIVETS		
	BODY	MANDREL	3/32	7/64	1/8	5/32	3/16	1/8	5/32	3/16
PRG-510AP* PRG-510A MCS-510A PRG-511A MCS-511A	ALUMINUM	ALUMINUM	●		●	●	●	●	●	●
	ALUMINUM	STEEL	●		●	●	●**	●		
	STEEL	STEEL	●		●	●				
	MONEL	STEEL		●	●					
	STAINLESS	STEEL			●			●		
	STAINLESS	STAINLESS			●			●		

* PRG-510AP Comes complete with air hose and jaw service kit

** Except Multi Grip

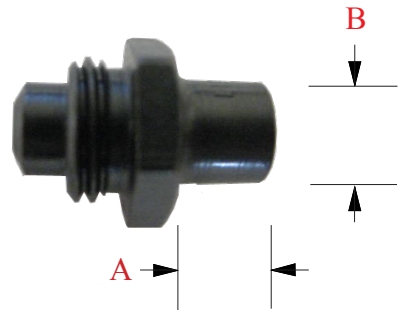
STANDARD NOSEPIECES

TYPE OF RIVET	RIVET DIAMETER	NOSEPIECE
OPEN-END RIVET	3/32"	PRN-314
	1/8" & 7/64"	PRN-414
	5/32"	PRN-514
	3/16"	PRN-614
CLOSED-END STEEL MANDREL	1/8"	PRN-424
	5/32"	PRN-524
CLOSED-END ALUMINUM MANDREL	1/8"	PRN-434
	5/32"	PRN-534
	3/16"	PRN-634
T-RIVET	3/16"	PRN-625

SPECIAL LONG NOSEPIECES *

RIVET DIAMETER	PART NUMBER	"A" SHANK LENGTH	"B" SHANK DIA.
3/32"	N-130	.562	.182
1/8"	N-131	.437	.210
1/8"	N-132	.562	.210
1/8"	N-301	.312	.210
1/8"	N-302	.750	.210
1/8"	N-309	.500	.210
5/32"	N-33	.375	.265
5/32"	N-133	.562	.265
5/32"	N-134	.437	.265
3/16"	N-35	.375	.320
3/16"	N-36	.500	.320
3/16"	N-138	.687	.320
3/16"	N-139	.562	.320
3/16"	N-140	.437	.320

* Long nosepieces may require special long mandrels



REPLACEMENT JAWS

TOOL	REPLACEMENT JAWS
PRG-510 MCS-510 PRG-511 MCS-511	PRG402-8A PRG402-8SS for Stainless Rivets