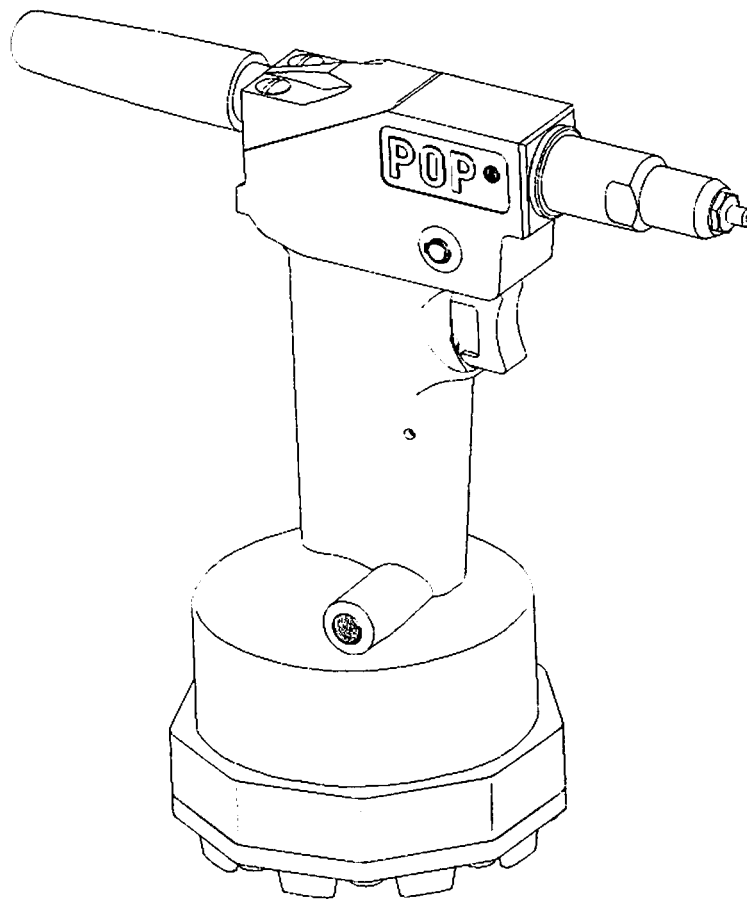


# INSTRUCTION MANUAL

**Series 510A Pneumatic  
POP® Rivetools,  
MCS 510A, PRG 510A,  
MCS 511A, PRG 511A  
and PRG 510A Plus.**

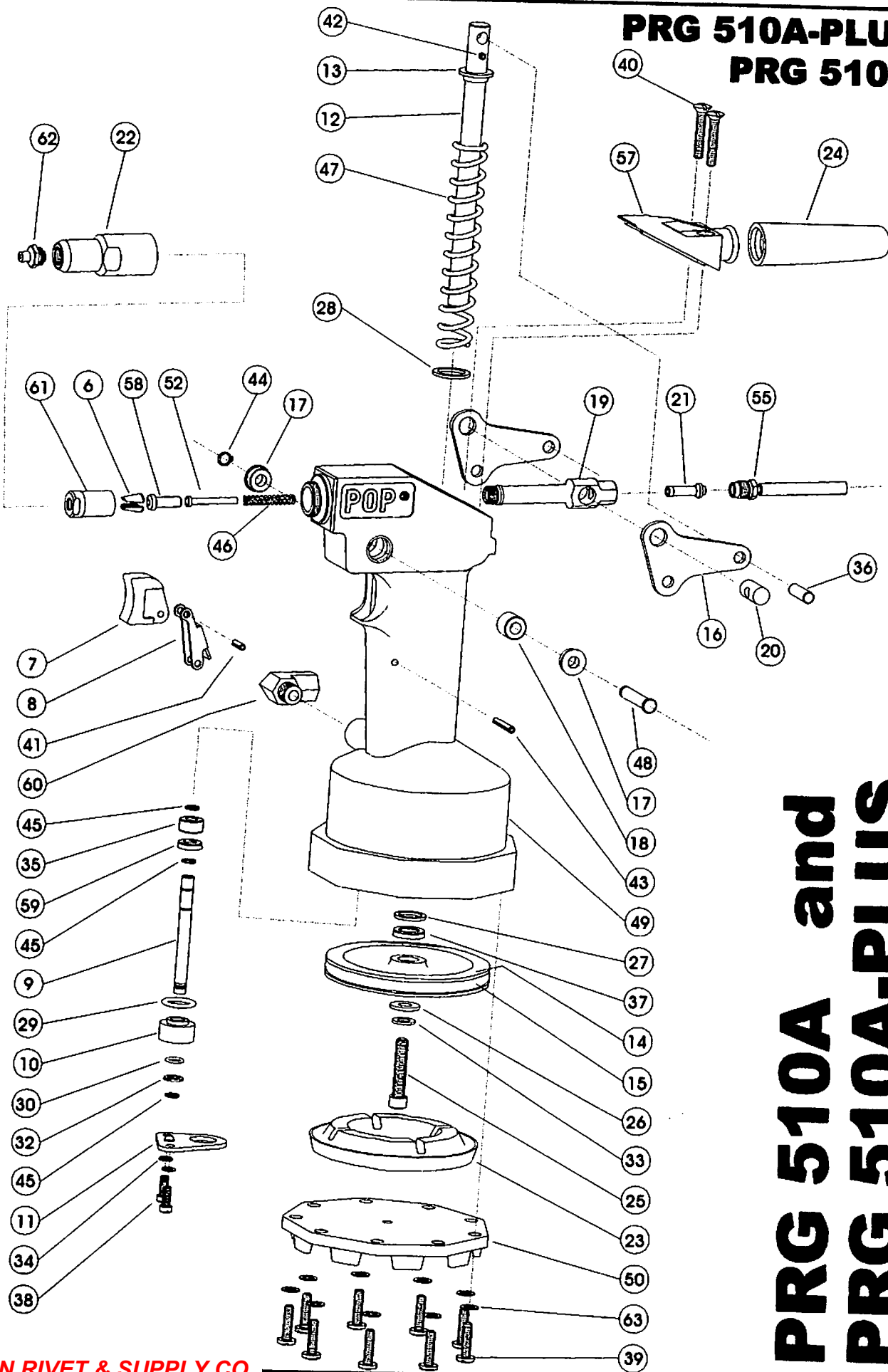


**HANSON RIVET & SUPPLY CO.**  
**PH: 818-485-0500 -FAX: 818-485-0540**  
**[www.hansonrivet.com](http://www.hansonrivet.com)**

**Emhart**  
**POP**

A BLACK & DECKER COMPANY

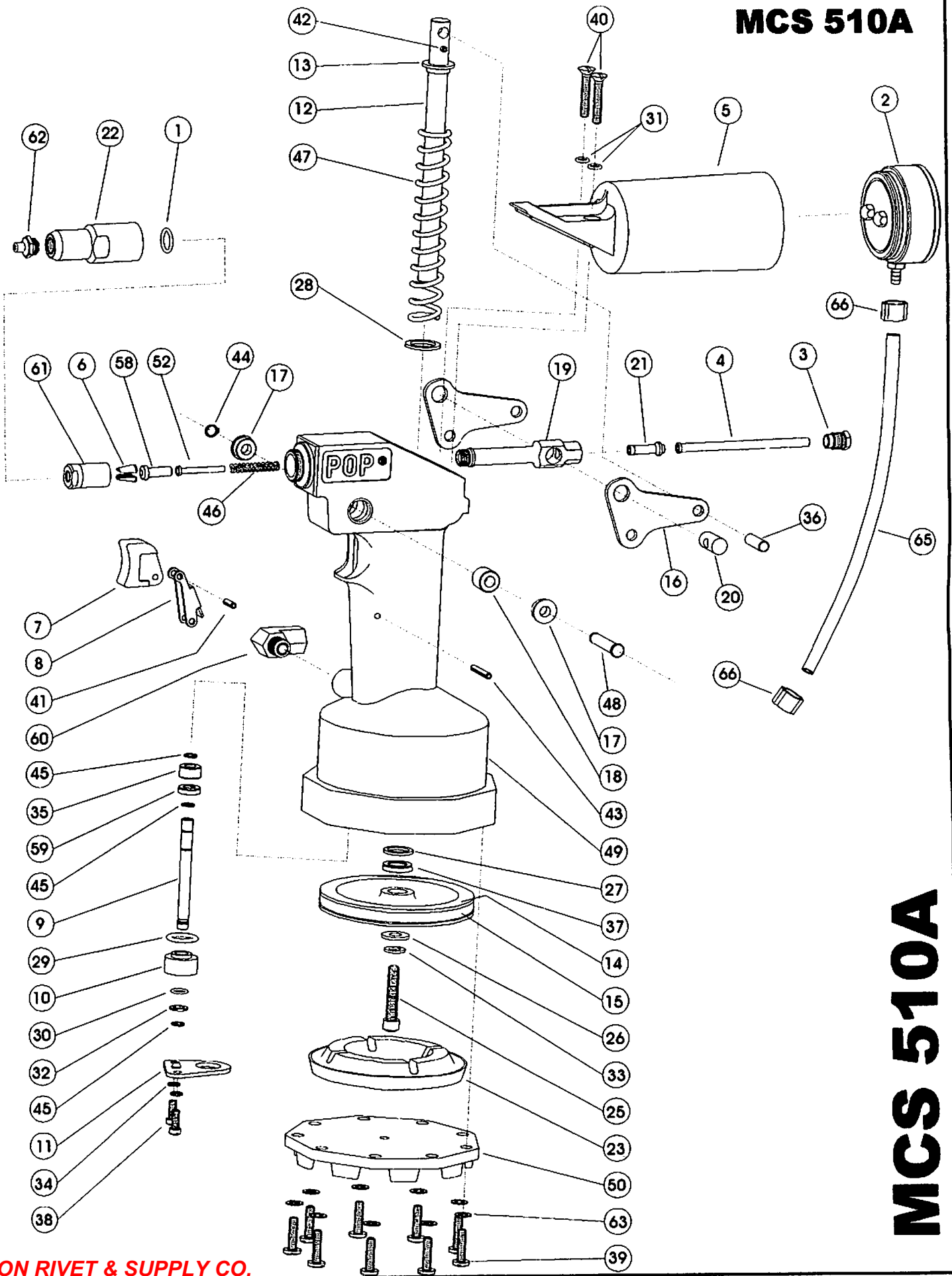
**PRG 510A-PLUS  
PRG 510A**



**PRG 510A and  
PRG 510A-PLUS**

# MCS 510A

# MCS 510A



HANSON RIVET & SUPPLY CO.

PH: 818-485-0500

FAX: 818-485-0540

[www.hansonrivet.com](http://www.hansonrivet.com)

ITEM	PART NUMBER	DESCRIPTION	MCS510A	MCS511A	PRG510A	PRG510A PLUS	PRG511A
1	MCS500-34	NOSE HOUSING O-RING	1	1			
2	MCS500-101	VACUUM CAP	1				
3	MCS510-11	MANDREL GUIDE NUT	1	1			
4	MCS510-12	MANDREL GUIDE	1	1			
5	MCS510-101	COLLECTOR BOTTLE ASSEMBLY	1	1			
6	PRG402-8A	JAW	2	2	2	2	2
7	PRG510-35	TRIGGER	1	1	1	1	1
8	PRG510-36A	TRIGGER LEVER	1	1	1	1	1
9	PRG510-37	VALVE TUBE	1	1	1	1	1
10	PRG510-38	VALVE SEAT	1	1	1	1	1
11	PRG510-39+	VALVE PLATE	1	1	1	1	1
12	PRG510-41+	PISTON ROD ASSEMBLY	1	1	1	1	1
13	PRG510-42	SPRING CAP	1	1	1	1	1
14	PRG510-43	PISTON	1	1	1	1	1
15	PRG510-44	PISTON SEAL	1	1	1	1	1
16	PRG510-45	BELL CRANK	2	2	2	2	2
17	PRG510-46	BELL CRANK BUSHING	2	2	2	2	2
18	PRG510-47	BELL CRANK BUSHING CENTER	1	1	1	1	1
19	PRG510-48	PULLING HEAD	1	1	1	1	1
20	PRG510-49	PULLING HEAD FULCRUM	1	1	1	1	1
21	PRG510-50	MANDREL TUBE	1	1	1	1	1
22	PRG510-52A	NOSE HOUSING	1	1	1	1	1
23	PRG510-54	PISTON BUMPER	1	1	1	1	1
24	PRG510-56	DEFLECTOR	1	1	1	1	1
25	PRG510-102	PISTON ROD SCREW	1	1	1	1	1
26	PRG510-103	PISTON ROD WASHER	1	1	1	1	1
27	PRG510-104	PISTON ROD SEAL WASHER	1	1	1	1	1
28	PRG510-105	SPRING WASHER	1	1	1	1	1
29	PRG510-106	VALVE SEAT SEAL	1	1	1	1	1
30	PRG510-107	BASE AIR SEAL	1	1	1	1	1
31	PRG510-107	BASE AIR SEAL	2	2			
32	PRG510-109	VALVE RING SEAL WASHER	1	1	1	1	1
33	PRG510-110	PISTON ROD LOCKWASHER	1	1	1	1	1
34	PRG510-111	VALVE PLATE SCREW LOCKWASHER	2	2	2	2	2
35	PRG510-112	VALVE TUBE CAP	1	1	1	1	1
36	PRG510-113	PISTON ROD FULCRUM	1	1	1	1	1
37	PRG510-114	PISTON ROD SEAL	1	1	1	1	1
38	PRG510-115	VALVE PLATE SCREW	2	2	2	2	2
39	PRG510-116	BASE SCREW	9	9	9	9	9
40	PRG510-117	HOUSING CAP SCREW	2	2	2	2	2
41	PRG510-118	TRIGGER PIN	1	1	1	1	1
42	PRG510-119	PISTON ROD PIN					
43	PRG510-120	TRIGGER FULCRUM PIN	1	1	1	1	1

N1  
N1  
N2  
N2

N2  
N2  
N2

N1

**HANSON RIVET & SUPPLY CO.**  
**PH: 818-485-0500 -FAX: 818-485-0540**  
**www.hansonrivet.com**

ITEM	PART NUMBER	DESCRIPTION	MCS510A	MCS511A	PRG510A	PRG510A PLUS	PRG511A
44	PRG510-122	VALVE RING SEAL RETAINER	1	1	1	1	1
45	PRG510-122	VALVE RING SEAL RETAINER	3	3	3	3	3
46	PRG510-123	JAW PUSHER SPRING	1	1	1	1	1
47	PRG510-124	PISTON ROD RETURN SPRING	1	1	1	1	1
48	PRG510-126	BELL CRANK FULCRUM	1	1	1	1	1
49	PRG510A-31	HOUSING	1	1	1	1	1
50	PRG510A-33	BASE	1	1	1	1	1
51	PRG510A-59	ADAPTOR FITTING					
52	PRG511-010	JAW PUSHER SPRING TUBE		1			1
53	PRG511-022	PULLING HEAD ADAPTOR (EXT.)		1			1
54	PRG511-050	MANDREL TUBE	1	1	1	1	1
55	PRG511-051	MANDREL GUIDE					
56	PRG511-052	NOSE HOUSING		1			1
57	PRG511-076	HOUSING CAP					
58	PRG520-33	JAW PUSHER	1	1	1	1	1
59	PRG520-60	VALVE TUBE SEAL	1	1	1	1	1
60	PRG520-68	ELBOW FITTING	1	1	1	1	1
61	PRH820-11A	JAW GUIDE	1	1	1	1	1
62	PRN414	NOSEPIECE	1	1	1	1	1
63	PRP-101	JAW PUSHER WASHER	9	9	9	9	9
64	PRG510-230	JAW SERVICE KIT					
65	MCS100-35	TRANSDUCER TUBE	1	1			1
66	PRG520A-8	AIR LINE O-CLAMP	2	2			2
70	PRT5200-90	AIR LINE FITTING					
71	PRG540-40	HOSE FEMALE FITTING					
72	PRG540-45	AIR LINE O-CLAMP					
73	PRG540-39	AIR LINE (HOSE)					
74	MCS500-31	HOSE CONNECTION ASSEMBLY	1	1			1
75	PRT5200-90	AIR LINE FITTING	1	1			1
76	PRG540-39	AIR LINE (HOSE)	2	2			2
77	PRG540-40	HOSE FEMALE FITTING	1	1			1
78	PRG540-45	AIR LINE O-CLAMP	4	4			4

N2

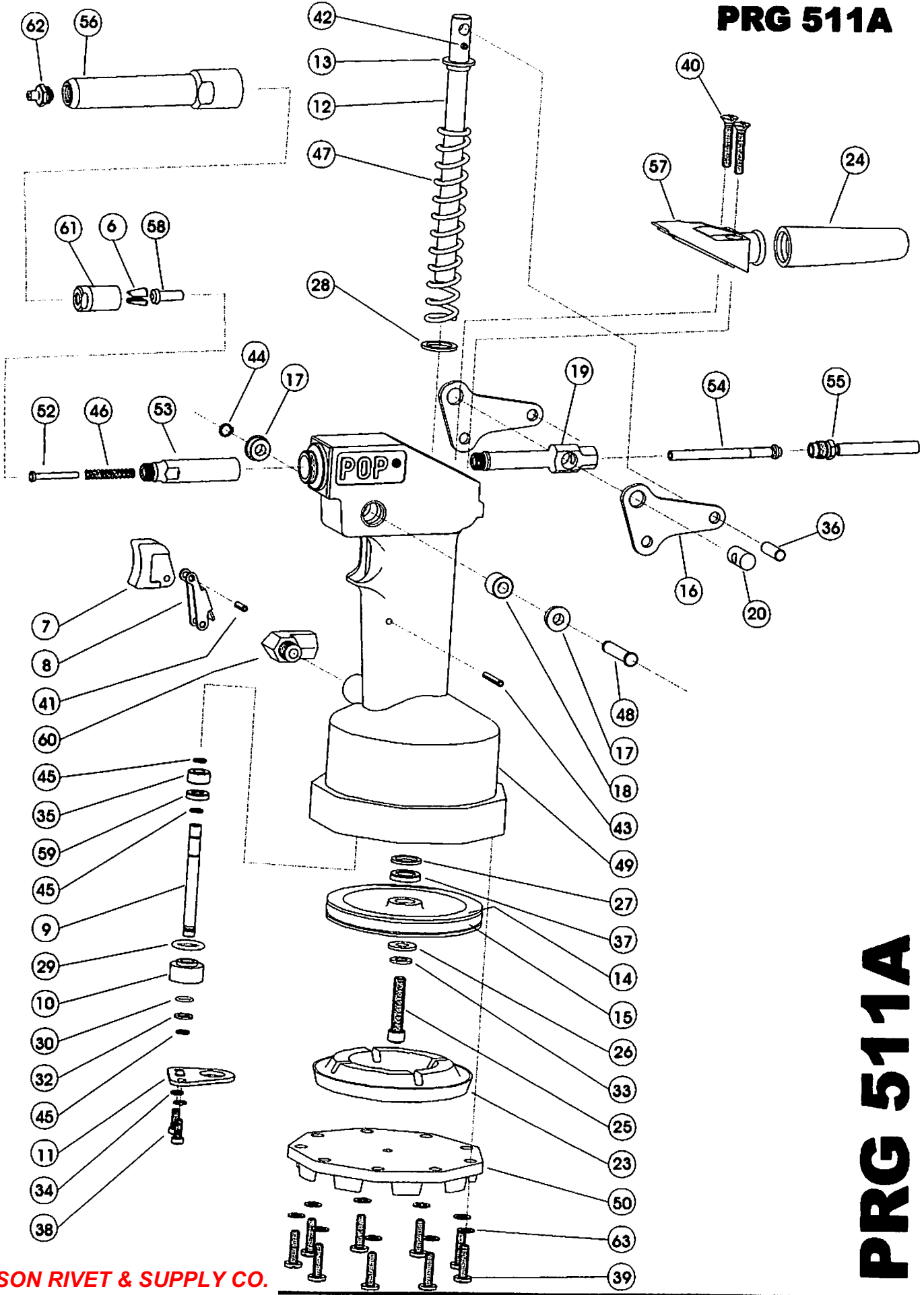
N3  
N3

N2

N4  
N4  
N4  
N4  
N5  
N5  
N5  
N5

N1 = These parts must be ordered as an assembly. Order part number PRG510-170.  
 N2 = These parts must be ordered as an assembly. Order part number PRG510-180.  
 N3 = These parts are optional on some tools and are shown for identification only.  
 N4 = These parts must be ordered as an assembly. Order part number PRT5200-220.  
 N5 = These parts must be ordered as an assembly. Order part number MCS510A-220.

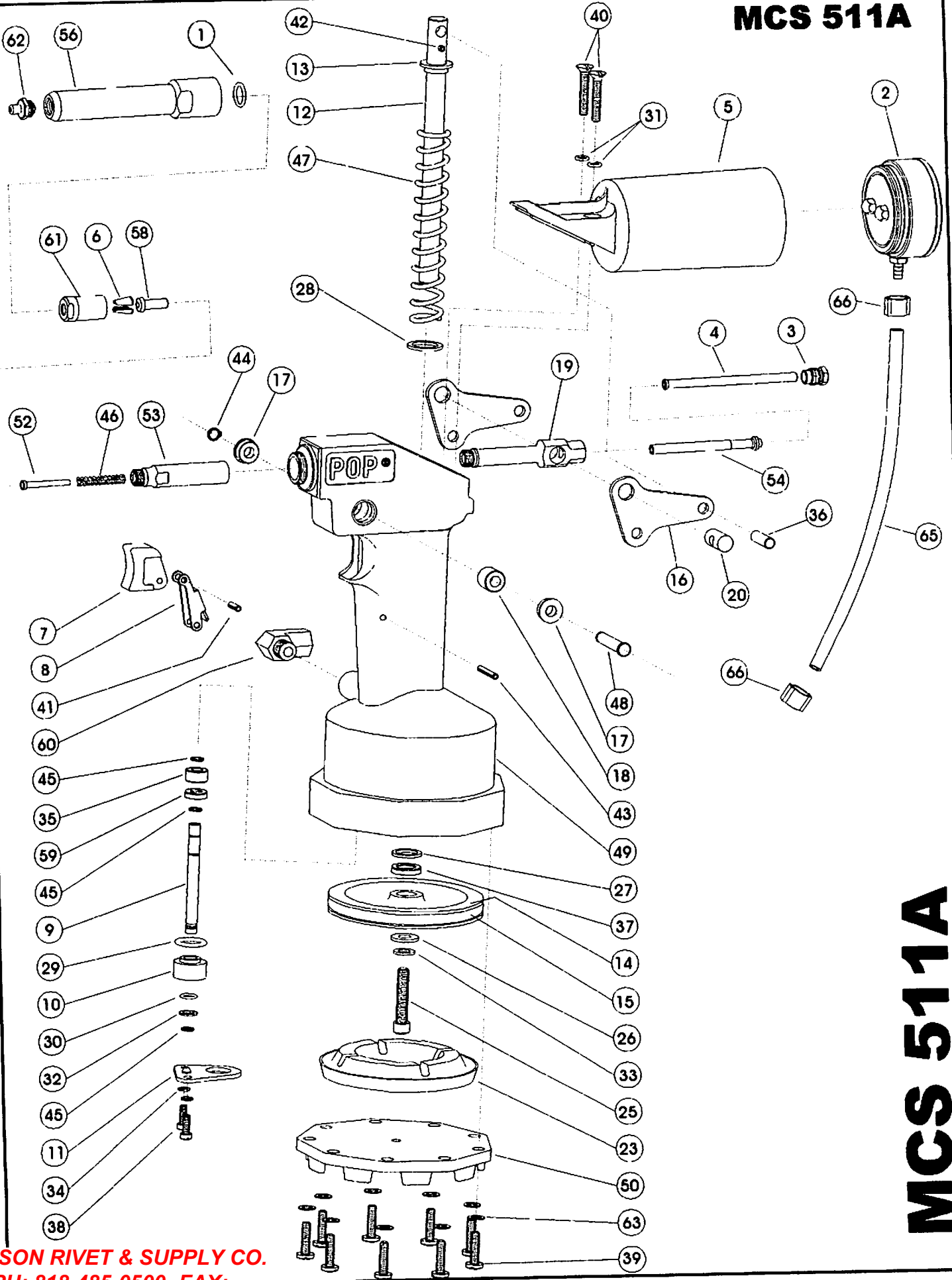
**PRG 511A**



**PRG 511A**

**HANSON RIVET & SUPPLY CO.**  
PH: 818-485-0500  
FAX: 818-485-0540  
www.hansonrivet.com

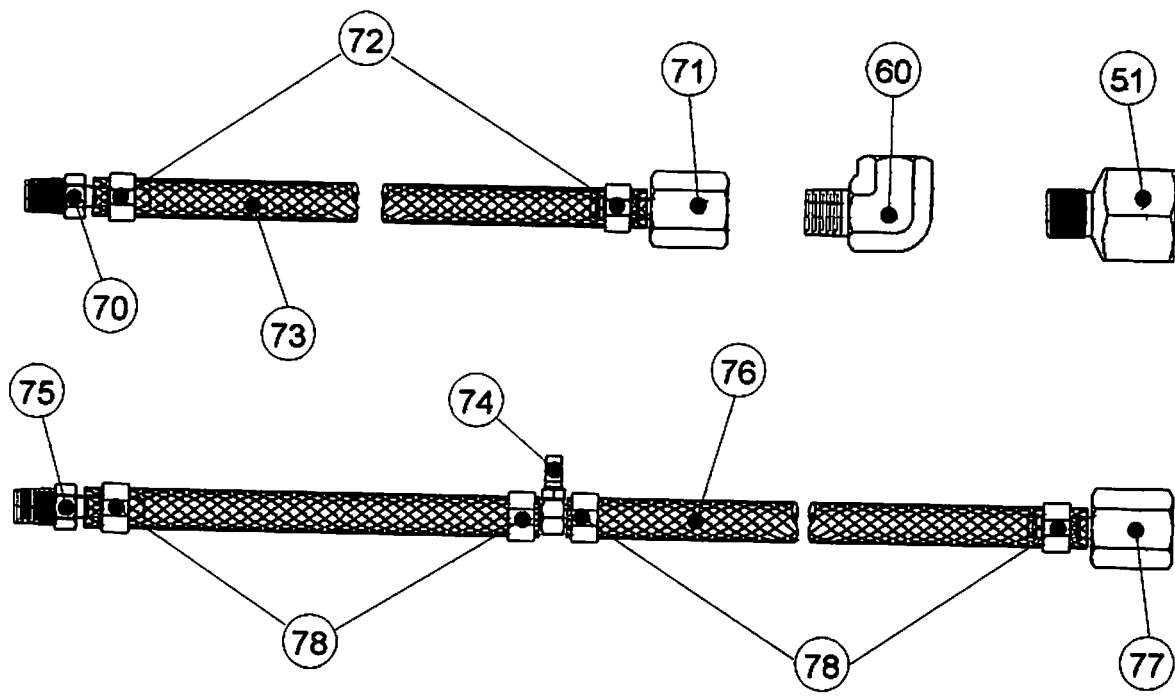
# MCS 511A



# MCS 511A

**HANSON RIVET & SUPPLY CO.**  
PH: 818-485-0500 -FAX:  
818-485-0540  
[www.hansonrivet.com](http://www.hansonrivet.com)





The PRG510A tool is an enhanced version of our PRG510 pneumatic POP® rivet tool, therefore most of the components are interchangeable. The following table summarizes the differences between the tools.

DESCRIPTION	PRG510A-PLUS	PRG510A	PRG510
ELBOW FITTING	PRG520-68	PRG520-68	NONE PROVIDED
HOUSING	PRG510A-31	PRG510A-31	PRG510-31
BASE	PRG510A-33	PRG510A-33	PRG510-33
O-RING	PRG510-107	PRG510-107	QTY. CHANGE ONLY
AIR LINE ASSEMBLY	PRT5200-220		
* JAW SERVICE KIT	PRG510A-230		

\* The PRT510A-230 Jaw Service Kit consists of PRG402-8A Jaw (2), PRG520-33 Jaw Pusher (1), and PRG510-123 Jaw Pusher Spring (1).

**HANSON RIVET & SUPPLY CO.**  
 PH: 818-485-0500 -FAX: 818-485-0540  
[www.hansonrivet.com](http://www.hansonrivet.com)



A BLACK & DECKER COMPANY