



**HANSON RIVET & SUPPLY CO.**  
13241 Weidner Street  
Pacoima, CA 91331

See page D48 for installation tools

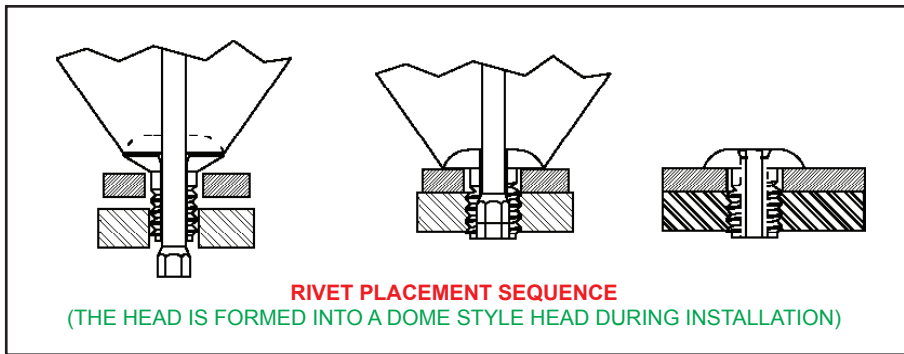
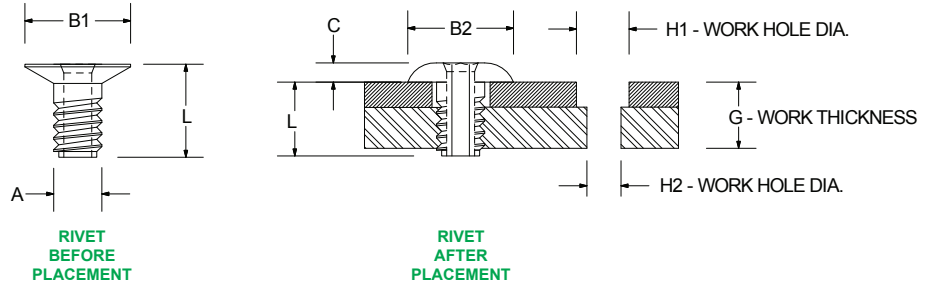
Phone: 818-485-0500  
FAX: 818-485-0540  
Outside CA: 1-800-RRRIVET  
[www.hansonrivet.com](http://www.hansonrivet.com)



# RIVSCREW® SPEED FASTENING®



RIVSCREW® Speed Fasteners are **removable** and **reusable**, for rapid assembly of electronic components.



**PART NUMBER PREFIXES FOR OTHER FINISHES:**  
01722 - ZINC, GOLD PASS.  
01723 - HOT TIN DIPPED  
01724 - ZINC, BLACK PASS.  
01725 - ZINC, MOLYBDENUM LUBE

BODY DIAMETER "A"	WORK HOLE DIAMETER		PART NUMBER FOR STEEL YELLOW ZINC FINISH SEE ABOVE FOR OTHER FINISHES	RECOMMENDED WORK THICKNESS "G"	BODY LENGTH (MAX.) "L"		HEAD DIAMETER BEFORE PLACEMENT "B1"	HEAD DIAMETER AFTER PLACEMENT "B2"	HEAD HEIGHT AFTER PLACEMENT "C"	HEX KEY SIZE ACROSS FLATS AFTER PLACEMENT "F"
	"H1" FRONT SHEET	"H2" BACK SHEET			BEFORE	AFTER				
<b>3/32</b> (.102") 2.8MM	.116-.119	.103-.106	01722-02806	.112	.202	.157	.215-.230	.240	.055	1/16
			01722-02807	.151	.241	.196				
			01722-02809	.190	.280	.235				
			01722-02810	.229	.319	.274				
			01722-02812	.307	.397	.352				
<b>1/8</b> (.110") 3.0MM	.121-.124	.111-.114	01722-03006	.112	.202	.157	.215-.230	.240	.055	1/16
			01722-03007	.151	.241	.196				
			01722-03009	.190	.280	.235				
			01722-03010	.229	.319	.274				
			01722-03011	.268	.359	.314				
			01722-03012	.307	.397	.352				
			01722-03016	.422	.516	.469				
<b>9/64</b> (.121") 3.5MM	.138-.141	.122-.125	01722-03506	.112	.202	.157	.220-.235	.240	.055	5/64
			01722-03507	.151	.241	.196				
			01722-03509	.190	.280	.235				
			01722-03510	.229	.319	.274				
			01722-03511	.268	.359	.314				
			01722-03512	.307	.397	.352				
			01722-03517	.463	.553	.508				
<b>5/32</b> (.141") 4.0MM	.165-.168	.142-.145	01722-04006	.112	.202	.157	.230-.245	.250	.055	2.55MM
			01722-04007	.151	.241	.196				
			01722-04009	.190	.280	.235				
			01722-04010	.229	.319	.274				
			01722-04011	.268	.359	.314				
			01722-04012	.307	.397	.352				
			01722-04015	.385	.475	.430				