



HANSON RIVET

& SUPPLY CO.

13241 Weidner Street
Pacoima, CA 91331

Phone: 818-485-0500

FAX: 818-485-0540

Outside CA: 1-800-RRRIVET

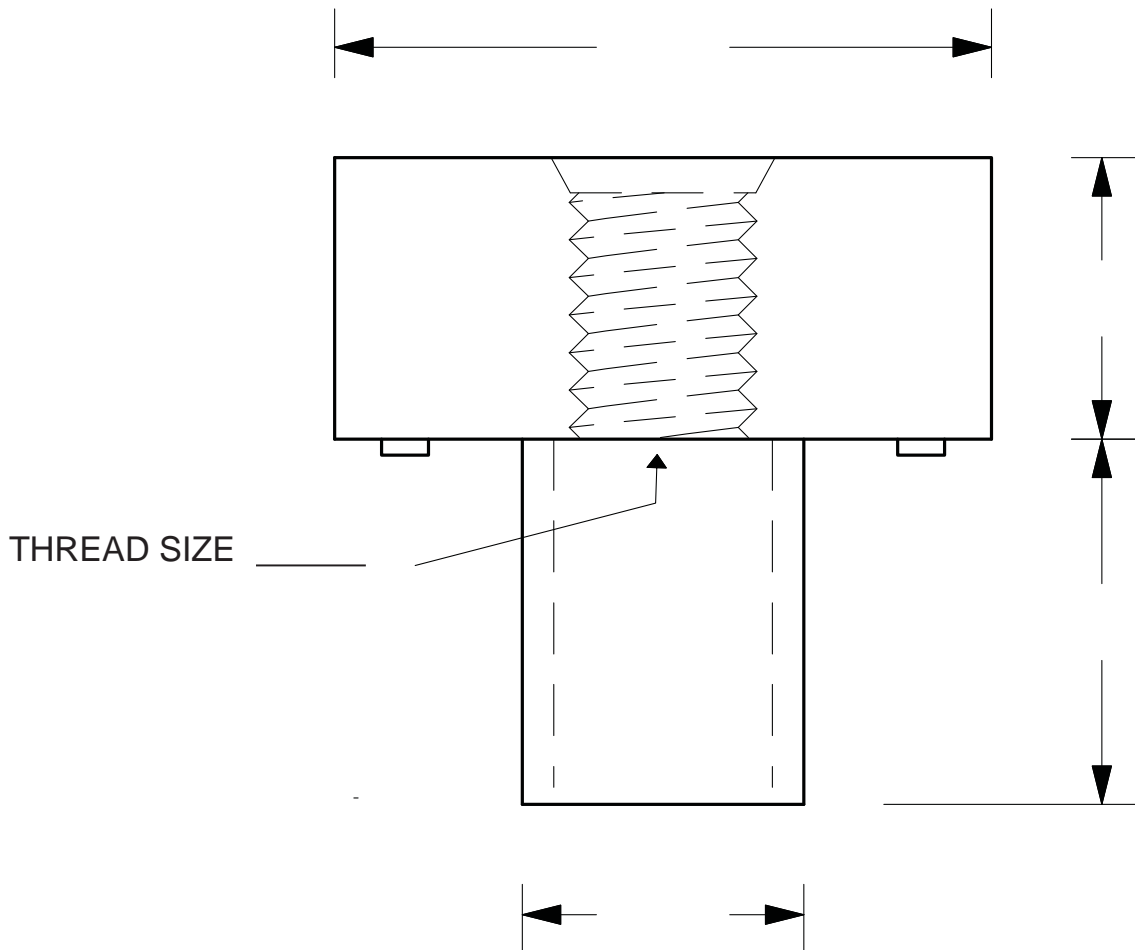
www.hansonrivet.com



DESIGN-A-RIVET



Can't find what you're looking for? We can supply custom cold-headed rivets and parts from .028" to 1.5" diameter! Simply FAX us your drawing or fill in dimensions on this sheet and FAX it to us. Cold-heading is an economical way to produce fasteners and many parts. Often screw machined parts can be cold-headed at reduced cost and increased strength! We look forward to your inquiry and quoting your requirements.



PLEASE CIRCLE THE APPROPRIATE CHOICES BELOW:

| HEAD STYLE | | BODY STYLE | | MATERIAL | | FINISH | | |
|-------------|-----------|---------------|----------|----------|-----------|--------|-------|---------|
| OVAL | TRUSS | SOLID | TAPPED | STEEL | MONEL | ZINC | PLAIN | CAD |
| ROUND | FLAT/NAIL | TUBULAR | THREADED | BRASS | STAINLESS | BRASS | TIN | COPPER |
| COUNTERSUNK | UNIVERSAL | CROSS-DRILLED | KNURLED | COPPER | ALUMINUM | NICKEL | BLACK | ANODIZE |