



HANSON RIVET

& SUPPLY CO.
13241 Weidner Street
Pacoima, CA 91331

Phone: 818-485-0500

FAX: 818-485-0540

Outside CA: 1-800-RRRIVET

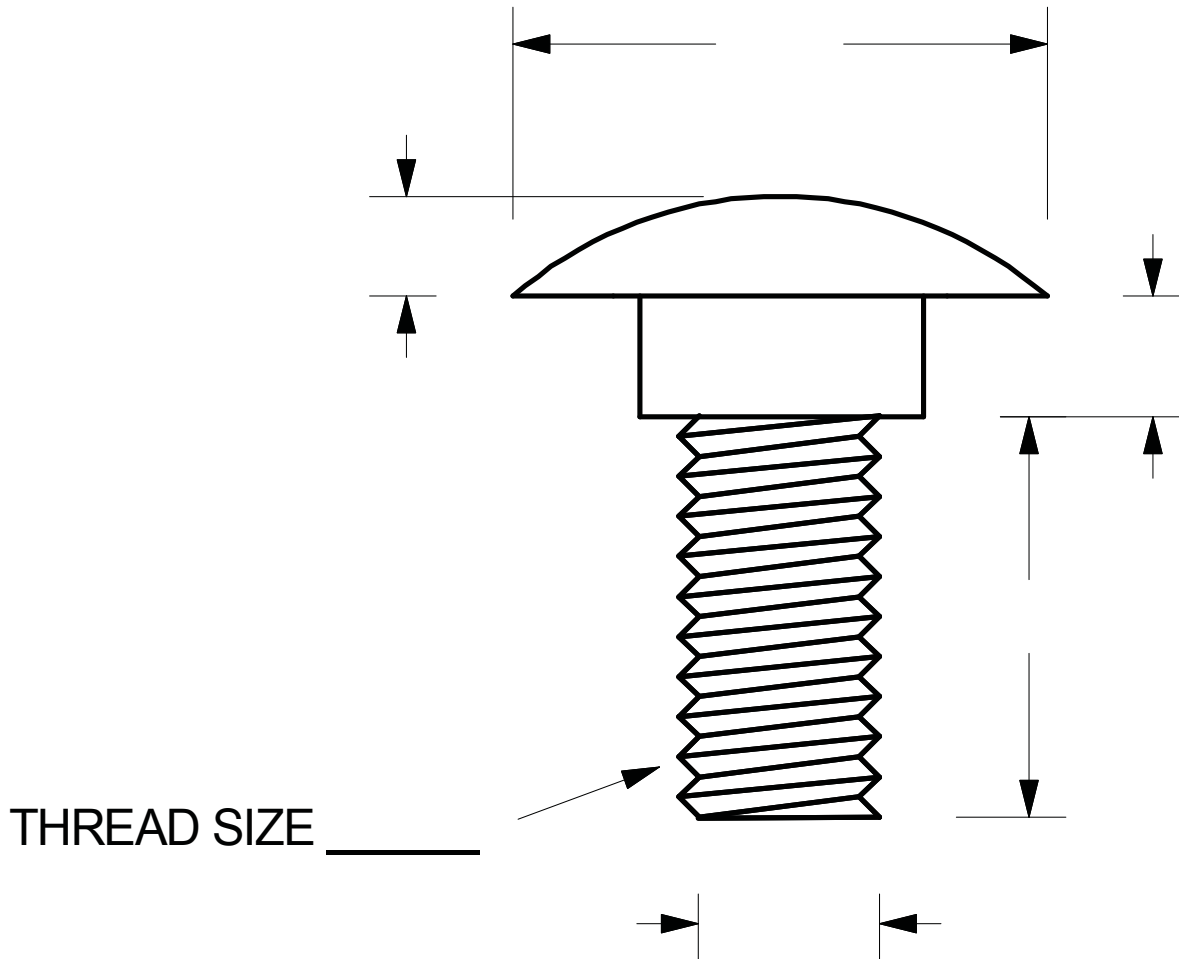
www.hansonrivet.com



DESIGN-A-RIVET



Can't find what you're looking for? We can supply custom cold-headed rivets and parts from .028" to 1.5" diameter! Simply FAX us your drawing or fill in dimensions on this sheet and FAX it to us. Cold-heading is an economical way to produce fasteners and many parts. Often screw machined parts can be cold-headed at reduced cost and increased strength! We look forward to your inquiry and quoting your requirements.



PLEASE CIRCLE THE APPROPRIATE CHOICES BELOW:

HEAD STYLE		BODY STYLE		MATERIAL		FINISH		
OVAL	TRUSS	SOLID	TAPPED	STEEL	MONEL	ZINC	PLAIN	CAD
ROUND	FLAT/NAIL	TUBULAR	THREADED	BRASS	STAINLESS	BRASS	TIN	COPPER
COUNTERSUNK	UNIVERSAL	CROSS-DRILLED	KNURLED	COPPER	ALUMINUM	NICKEL	BLACK	ANODIZE